

# Technical Specification

REF: PC12

ISS: 1

## Key Features

- Integral Reflex Reflector
- 10 – 30 Volt Operation
- LED Long Life Reliability
- Twin Rear Position Illumination
- Modular Design

## Technical Specification

**Functions:** Position | Indicator | Fog | Reverse | Stop | Reflex

**Homologation:** ECE

**Voltage:** 10-30 Volt

**Power Consumption:** Stop 2.0W

Rear Position 0.5W

Indicator 1.6W

Fog 2.5W

Reverse 1.6W

**Connection:** Cable 500mm

**Fixing:** M8 Bolt

**IP Rating:** IP67 Hermetically Sealed

**Material:** Lens – PMMA | Housing – Polycarbonate / ABS

**Temperature Range:** -40°C to +50°C

## Part Numbers

PL.110.S.07 RH 10-30 Volt Stop | Position | DI | Fog | Rev | Reflex

PL.110.S.08 LH 10-30 Volt Stop | Position | DI | Fog | Rev | Reflex

## See Also

110 Series Fog | Reverse | Rear Position Module

110 Series Stop | Rear Position | Indicator Module

110 Series 3 Position Housing + Reflex (without lamps)

## 110 Series - Combination Rear Lamp

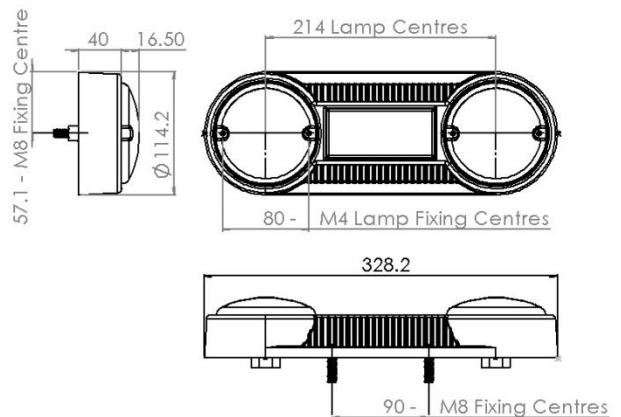


## Overview

Modular Combination Rear Lamp with Integral Reflex Reflector and Twin Rear Position Illumination using the popular 95mm lamp package updated to include 3 Functions.

Housing only option available for flexible mounting options for 95mm Modular Product.

## Drawing



[www.perei.co.uk](http://www.perei.co.uk) | [sales@perei.co.uk](mailto:sales@perei.co.uk) | +44 (0) 1842 812290

Perei Group Limited | Keystone Innovation Centre | Thetford | Norfolk | IP24 1JD | United Kingdom

Specifications herein are subject to change without notice

**PEREI**