

# Technical Specification

REF: PDRL2

ISS: 1

## Key Features

- High Powered LED Optical System
- Varivolt operation (9-33v)
- Option for SuperSeal Connection
- Front Position & DRL Combined
- For use with PEREI 55mm Lighting

## Technical Specification

**Functions:** DRL | Position

**Homologation:** ECE

**Voltage:** 12v | 24v

**Power Consumption:** DRL (12v) 4.4w, (24v) 4.4w  
Position (12v) 0.6, (24v) 0.5w

**Connection:** Cable 200mm

**Fixing:** M6 Bolt

**IP Rating:** IP67

**Material:** Lens – PMMA | Housing – ABS/Polycarbonate

**Temperature Range:** -40°C to +85°C

## Part Numbers

DL103SZZ-5-2-AA 95mm Daytime Running/Position 9-33v

## See Also

FD101, FD102 55mm Front DI

## 95mm DRL Ring

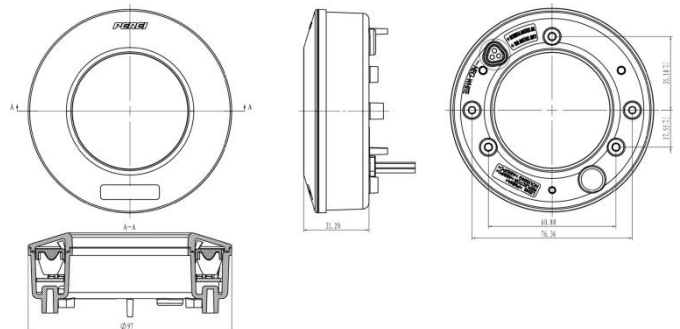


### Overview

95mm DRL Ring comes in: DRL only, Position only or Combination DRL & Position.

Varivolt operation with a wide angle optical system and SuperSeal connection option.

## Drawing



[www.perei.co.uk](http://www.perei.co.uk) | [sales@perei.co.uk](mailto:sales@perei.co.uk) | +44 (0) 1842 812290

Perei Group Limited | Keystone Innovation Centre | Thetford | Norfolk | IP24 1JD | United Kingdom

Specifications herein are subject to change without notice

**PEREI**