

Technical Specification

REF: PFR1

ISS: 1

Key Features

- 3 Function Operation
- 10 – 30 Volt Operation
- LED Long Life Reliability
- Small & Popular 95mm Package
- Housing Option for Combination Ass'y

Technical Specification

Functions: Rear Position | Indicator | Stop

Homologation: ECE

Voltage: 10 -30 Volt

Power Consumption: Fog 2.5W

Reverse 1.6W

Rear Position 0.5W

Connection: Cable 500mm

Fixing:

IP Rating: IP67 Hermetically Sealed

Material: Lens – PMMA | Housing – Poly Carbonate / ABS

Temperature Range: -40°C to +50°C

Part Numbers

PL.110.S.06 10-30 Volt Fog | Reverse | Rear Position

See Also

110 Series Fog | Reverse | Rear Position Module

110 Series 2 Position Housing

110 Series - Fog | Reverse | Rear Position Module



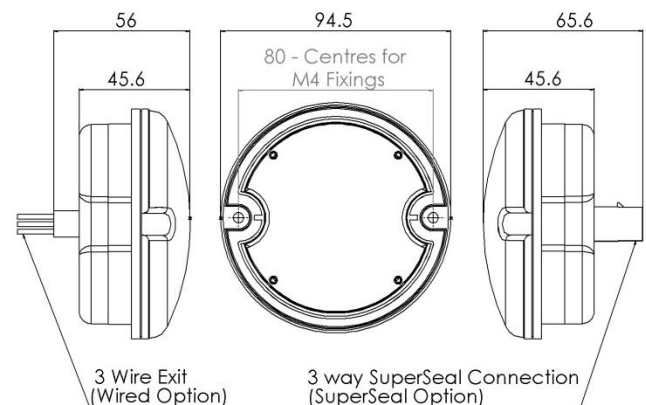
Overview

95mm Combination Lamp Module with 3 Function Operation in a Hermetically Sealed IP67 package.

The Red & Clear Lens styling is common with the Stop/Rear Position & Indicator lamp providing a uniform and attractive appearance.

Can be incorporated within the Modular Housing Part No: PL.115.A.01

Drawing



www.perei.co.uk | sales@perei.co.uk | +44 (0) 1842 812290

Perei Group Limited | Keystone Innovation Centre | Thetford | Norfolk | IP24 1JD | United Kingdom

Specifications herein are subject to change without notice

