

# Technical Specification

REF: PML1

ISS: 2

## Key Features

- Flush or Bracket Mount
- 12 or 24 volt operation
- Integrated Reflex Reflector
- Minimal Power Consumption
- Uniform Design on all Functions

## Technical Specification

**Functions:** Front | Rear | Side

**Homologation:** ECE

**Voltage:** 12v | 24v

**Power Consumption:** Side (12v) 0.48w, (24v) 0.96w  
Front (12v) 0.96w, (24v) 0.48w  
Rear (12v) 0.24w, (24v) 0.72w

**Connection :** AMP SuperSeal

**Fixing :** M4 Screws

**IP Rating :** IP67 Hermetically Sealed

**Material :** Lens - PMMA | Housing - ABS

**Temperature Range :** -40°C to +50 °C

## Part Numbers

SM1112V – M11 Side Marker – 12 Volt  
SM1124V – M11 Side Marker – 24 Volt  
FM1112V – M11 Front Marker – 12 Volt  
FM1124V – M11 Front Marker – 24 Volt  
RM1112V – M11 Rear Marker – 12 Volt  
RM1124V – M11 Rear Marker – 24 Volt

Bracket Kits: SM11-HB – Horizontal Pendant Bracket Kit  
SM11-VB – Vertical Pendant Bracket Kit

## See Also

## M11 Markers

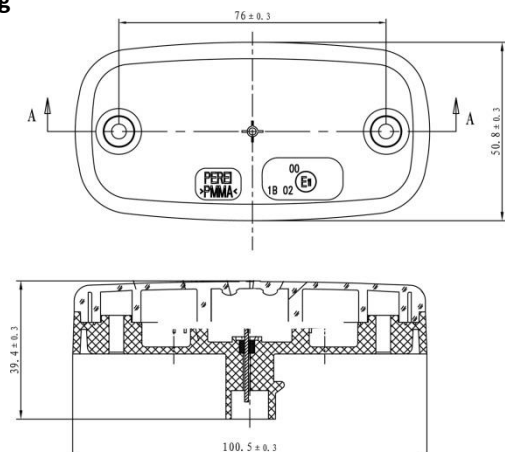


## Overview

Side, Rear and Front Markers with a uniform design, ECE and IP67 approval.

Flush mount or pendant bracket mount with SuperSeal options.

## Drawing



[www.perei.co.uk](http://www.perei.co.uk) | [sales@perei.co.uk](mailto:sales@perei.co.uk) | +44 (0) 1842 812290

Perei Group Limited | 36 Wimbledon Avenue | Brandon | Suffolk | IP27 0NZ | United Kingdom

Specifications herein are subject to change without notice

**PEREI**