

Technical Specification

REF: PML2

ISS 1

Key Features

- Optional Bracket Mount
- 12 or 24 volt operation
- Integrated Reflex Reflector
- Minimal Power Consumption
- Low Cost Solution

Technical Specification

Functions: Front | Rear | Side

Homologation: ECE

Voltage: 12v | 24v

Power Consumption: Side (12v) 0.48w, (24v) 0.96w
Front (12v) 0.96w, (24v) 0.48w
Rear (12v) 0.24w, (24v) 0.72w

Connection : Terminal Block

Fixing : M4 Screws

IP Rating : IP67 Hermetically Sealed

Material : Lens - PMMA | Housing - ABS

Temperature Range : -40°C to +50 °C

Part Numbers

SM1812V – M18 Side Marker – 12 Volt
SM1824V – M18 Side Marker – 24 Volt
FM1812V – M18 Front Marker – 12 Volt
FM1824V – M18 Front Marker – 24 Volt
RM1812V – M18 Rear Marker – 12 Volt
RM1824V – M18 Rear Marker – 24 Volt

Bracket Kits: SM18-HB – Horizontal Pendant Bracket Kit
SM18-VB – Vertical Pendant Bracket Kit

See Also

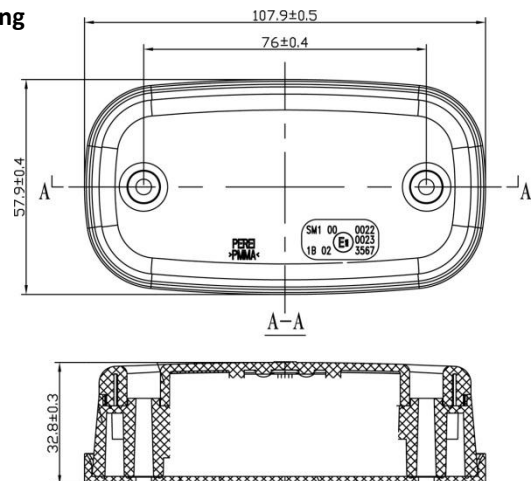
M18 Markers



Overview

Side, Rear and Front Markers with a uniform design, ECE and IP67 approval. A low cost solution with minimal power consumption and pendant bracket fitting options.

Drawing



www.perei.co.uk | sales@perei.co.uk | +44 (0) 1842 812290

Perei Group Limited | Keystone Innovation Centre | Thetford | Norfolk | IP24 1JD | United Kingdom

Specifications herein are subject to change without notice

PEREI