

Technical Specification

REF: PML5

ISS: 1

Key Features

- Minimal Power Consumption
- Varivolt Operation 9-33v
- Low Cost Solution
- Compact Marker Solution
- SuperSeal Connections Available

Technical Specification

Functions: Front | Rear | Side | ABS Warning

Homologation: ECE

Voltage: Varivolt (9-33v)

Power Consumption: Side (12V) 0.36w, (24V) 0.72W

Front (12V) 0.36w, (24V) 0.72W

Rear (12V) 0.36w, (24V) 0.96W

ABS (12V) 0.36w, (24V) 0.72W

Connection : SuperSeal, Wired

Fixing : M4 Screw

IP Rating : IP67 Hermetically Sealed

Material : Lens - PMMA | Housing - ABS

Temperature Range : -40°C to +50 °C

Part Numbers

FM60W-001 – M60 Front Marker with 500mm Cable, 9-33v

FM60SS-001 – M60 Front Marker with Integral SuperSeal Connection, 9-33v

RM60W-001 – M60 Rear Marker with 500mm Cable, 9-33v

RM60SS-001 – M60 Rear Marker with Integral SuperSeal Connection, 9-33v

AM60W-001 – M60 ABS Warning with 500mm Cable, 9-33v

AM60SS-001 – M60 ABS Warning Marker with Integral SuperSeal Connection, 9-33v

See Also

M60 Markers

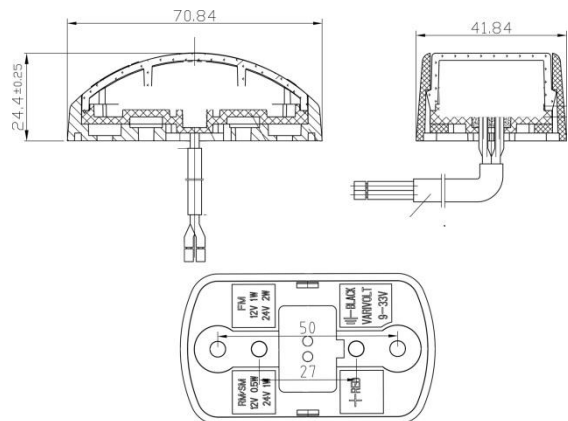


Overview

Varivolt Front, Rear, and ABS Markers with, ECE and IP67 approval.

A low cost compact marker solution with minimal power consumption. SuperSeal connections are available on all lamps.

Drawing



www.perei.co.uk | sales@perei.co.uk | +44 (0) 1842 812290

Perei Group Limited | Keystone Innovation Centre | Thetford | Norfolk | IP24 1JD | United Kingdom

Specifications herein are subject to change without notice

