

# Technical Specification

REF: PR6

ISS: 1

## Key Features

- Connector Kits Available
- 12 or 24 volt operation
- Choice of Lens Styles
- Compact Design
- Sealed Connector

## Technical Specification

**Functions:** Reverse

**Homologation:** ECE

**Voltage:** 12v | 24v

**Power Consumption:** 21w

**Connection:** Timer Connector

**Fixing:** 2 x M4 Screws

**IP Rating:** IP67

**Material:** Lens – Polycarbonate | Housing – Polycarbonate

**Temperature Range:** -40°C to +50°C

## Part Numbers

RL800OPT – Reverse opticated lens

## See Also

95mm Fog / Direction Indicator / Stop-Tail

## 95mm Opticated Reverse

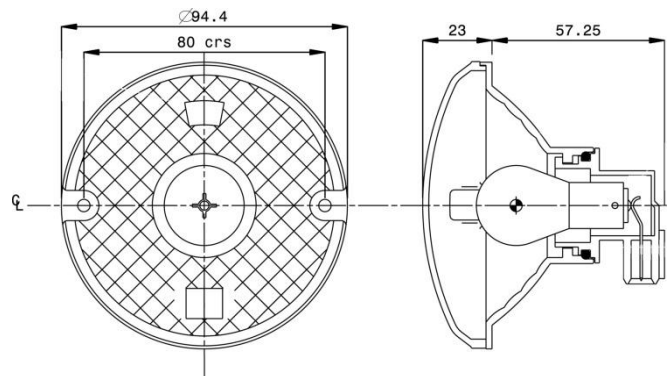


### Overview

95mm Opticated: Stop/Tail (combined or individual lamps), Side, Reverse, Rear Fog.

Full range of ECE functions, choice of lens style and available connector kits

### Drawing



[www.perei.co.uk](http://www.perei.co.uk) | [sales@perei.co.uk](mailto:sales@perei.co.uk) | +44 (0) 1842 812290

Perei Group Limited | Keystone Innovation Centre | Thetford | Norfolk | IP24 1JD | United Kingdom

Specifications herein are subject to change without notice

**PEREI**