

# Technical Specification

REF: PR7

ISS: 1

## Key Features

- Popular 122mm size
- 12, 24, or 9-33 volt options
- LED Long Life Reliability
- ECE approval for all functions
- Low current Draw

## Technical Specification

**Functions:** Reverse

**Homologation:** ECE

**Voltage:** 12v | 24v | Varivolt (9-33v)

**Power Consumption:** Reverse (12v) 3.24w, (24v) 2.64w

**Connection:** Cable 200mm

**Fixing:** M6 Bolt

**IP Rating:** IP67 rated sealing

**Material:** Lens – PMMA | Housing - ABS

**Temperature Range:** -40°C to +85°C

## Part Numbers

RV700LED12V-Reverse LED 12V

RV700LED24V-Reverse LED 24V

RV700LEDVV-Reverse LED 9-33V

## See Also

CRL777 3 way housing, Rear Fog, Combination, Fog/Reverse

## 700 Series LED Reverse Lamp

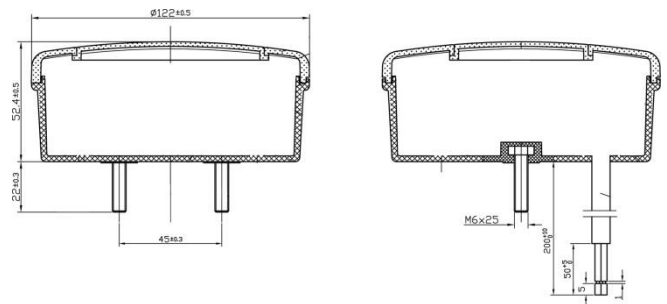


## Overview

New technology LED combination lamp series using a common lens style for all functions.

Suitable for high temperature applications and use in 3 way housing the series consists of ; CRL700 Stop/Tail/D.I., RF700 Rear Fog, RV700 Reverse, RFRV700 Combination Fog/Reverse, and RR700 Reflex Reflector.

## Drawing



[www.perei.co.uk](http://www.perei.co.uk) | [sales@perei.co.uk](mailto:sales@perei.co.uk) | +44 (0) 1842 812290

Perei Group Limited | Keystone Innovation Centre | Thetford | Norfolk | IP24 1JD | United Kingdom

Specifications herein are subject to change without notice

**PEREI**