

Technical Specification

REF: PST7

ISS: 1

Key Features

- Connector Kits Available
- 12 or 24 volt operation
- Choice of Lens Styles
- Compact Design
- Sealed Connector

Technical Specification

Functions: Stop/Tail

Homologation: ECE

Voltage: 12v | 24v

Power Consumption: 21w

Connection: Timer Connector

Fixing: 2 x M4 Screws

IP Rating: IP67

Material: Lens – Polycarbonate | Housing – Polycarbonate

Temperature Range: -40°C to +50°C

Part Numbers

SL90PT – Stop/Tail opticated lens

See Also

95mm Fog / Reverse / Direction Indicator

95mm Opticated Stop/Tail

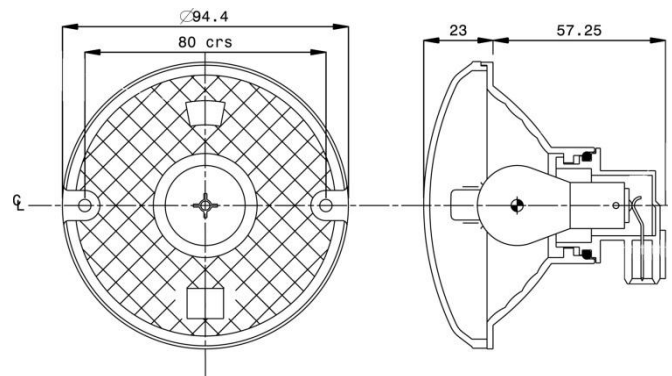


Overview

95mm Opticated: Stop/Tail (combined or individual lamps), Side, Reverse, Rear Fog.

Full range of ECE functions, choice of lens style and available connector kits

Drawing



www.perei.co.uk | sales@perei.co.uk | +44 (0) 1842 812290

Perei Group Limited | Keystone Innovation Centre | Thetford | Norfolk | IP24 1JD | United Kingdom

Specifications herein are subject to change without notice

PEREI