

Technical Specification

REF: PWB3

ISS: 1

Key Features

- 360 Degree Visibility
- Regulation 65 Compliant
- Multiple Flash Patterns
- 10 – 30 Volt Operation
- Mag Mount & Bolt Fix Options

Technical Specification

Functions: Amber Warning with 360 Degree Illumination

Homologation: Regulation 65

Voltage: 10 – 30- Volts

Power Consumption : 39w

Connection : Cable or Auxiliary Plug

Fixing : Magnetic and M6 studs

IP Rating : IP65 Hermetically Sealed

Material : Lens - PC / Housing - PC

Temperature Range : -30°C to +65°C

Part Numbers

PL.140.S.02 LED Minibar 10 – 30 Volt Mag Mount + Cable + Plug

PL.140.S.03 LED Minibar 10 – 30 Volt Bolt Mount

NOTE: Option of Coloured Lens by request

See Also

PL.340.S.02 Rotating LED 10 -30 Volt Mag Mount + Cable + Plug

PL.340.S.02 Rotating LED 10-30 Volt Bolt Mount + Cable

140 Series - LED Mini Light Bar (REG 65)

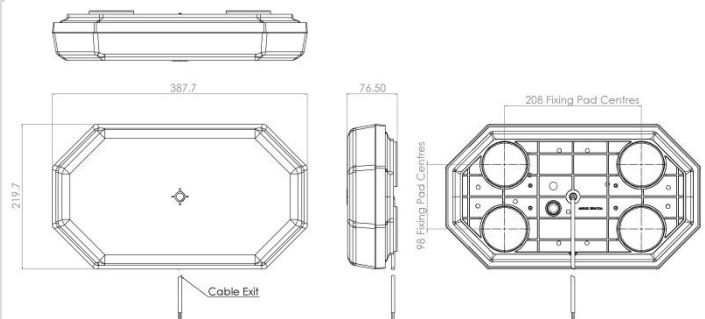


Overview

A Superb 360 Degree Visibility Light Bar meeting Regulation 65 Homologation requirements but contained within a small but highly powerful package comprising of 56 SMD LED.

Multiple Flash Patterns as standard and options of Magnetic or Bolt Fixing.

Drawing



www.perei.co.uk | sales@perei.co.uk | +44 (0) 1842 812290

Perei Group Limited | Keystone Innovation Centre | Thetford | Norfolk | IP24 1JD | United Kingdom

Specifications herein are subject to change without notice

